

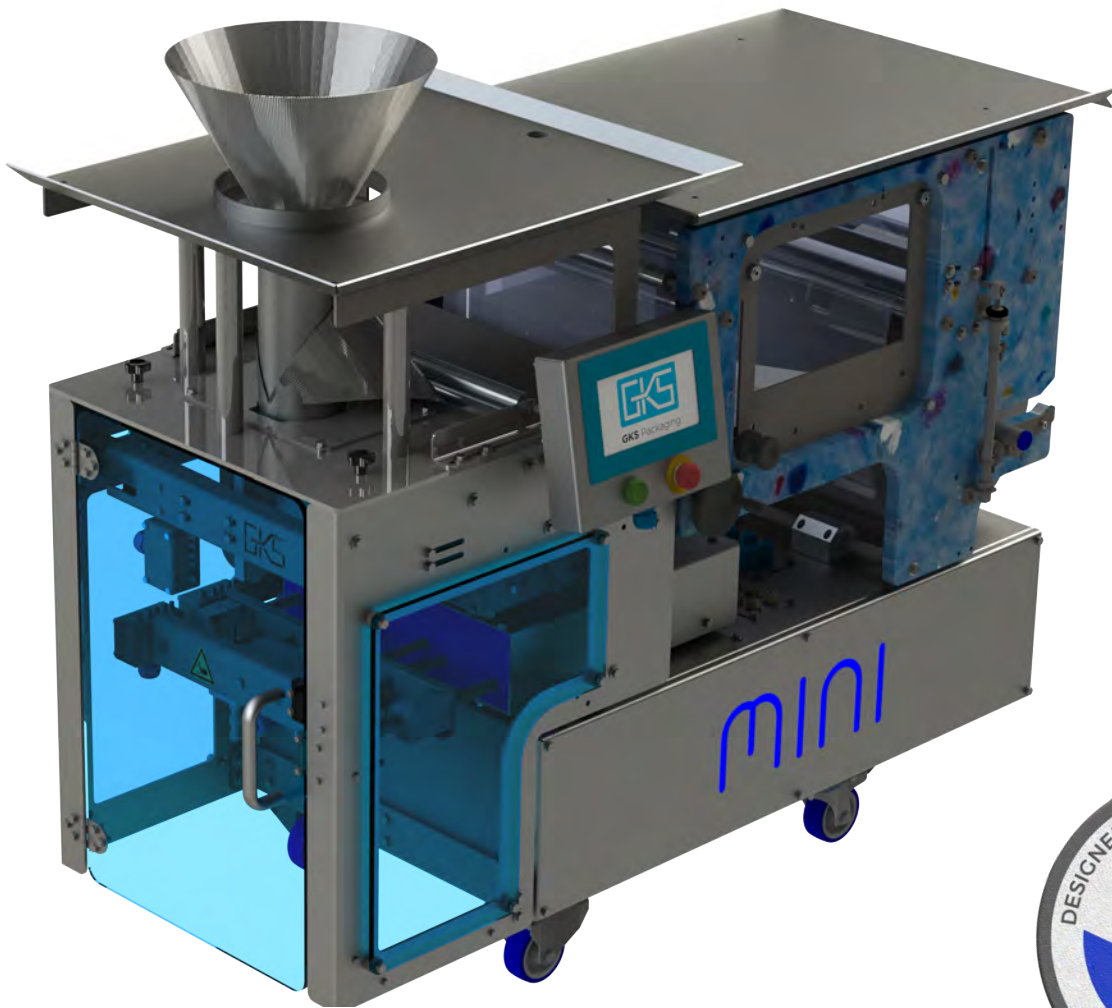
# MINI

vertical form, fill and seal machine



EN

GKS Packaging



Inventive simplicity



- Efficient and flexible
- Compact modular “frameless” design
- Robust build quality
- Allen Bradley PLC and electrical components
- Servo driven film transport for accurate bag length
- Ergonomic film support with film tensioning system and film brake
- Fully automatic packaging solution in 1 m<sup>3</sup>



[www.gkspackaging.com](http://www.gkspackaging.com)

# MINI

## vertical form, fill and seal machine

Vertical form, fill and seal machines create bags from a flat film from the reel. The machines are suitable for packing many types of food and non food products.

The MINI has a compact design and is constructed out of stainless steel. This results in a high build quality and robust construction. Due to its low height and small footprint the machine is very versatile, both in small production areas as well as in industrial environments. The machine is standard delivered on wheels so it can easily be placed under various dosing systems. It also is very suitable for manual filling.

With its large range in pack sizes (40 up to 160 mm bag width and unlimited bag length) and a capacity up to 70 bags per minute, this machine can be used in a wide variety of packaging situations. In the standard configuration it produces pillow bags. Optionally the machine can also produce self standing bags.

The machine has an open construction, so it is easy to clean and parts are easily accessible. This creates a reduction in downtime and costs during maintenance work. Options and components can be retrofitted easily and quickly.

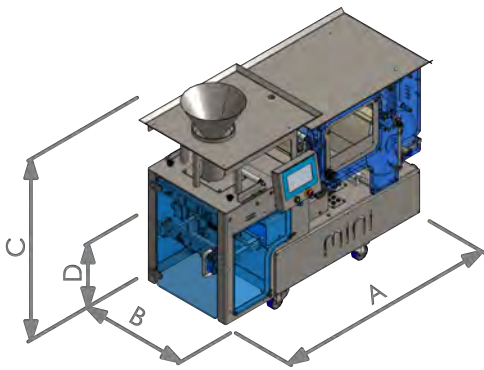
### Machine is standard equipped with:

- Stainless steel modular construction on wheels
- Machine partly built out of recycled OCEAN PLASTIC
- Machine safety according to CE regulations
- Allen Bradley PLC with 7" full color touchscreen and 99 programs can be created and stored
- Pneumatic opening and closing of the servo driven film pull belts
- Ergonomic film support with film tensioning system, brake and lateral adjustment
- Low power and air consumption
- End of film detection

### Options:

- QC sealing system for PE film
- Easy opening seal/knife
- Euroloch sealing system
- Block bottom/gusset mechanism
- Photocell for pre-printed film
- Connection for gas flushing (MAP)
- Vibration unit
- Perforation systems
- Film cut and splice table
- Stainless steel cover plate over the entire film lane
- Printing and labelling systems
- Various weighing and dosing systems
- Customer specific options on request

### MINI



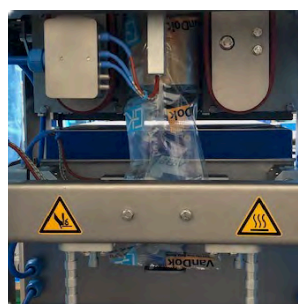
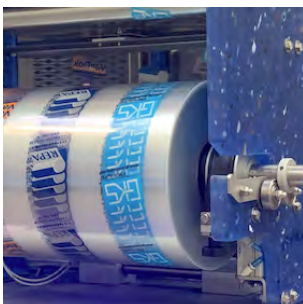
**A B C D**

**MINI** 1330 650 1140 400 mm

### Technical specifications MINI:

Bag width (pillow)	40 - 160 mm
Max. bag length	unlimited mm
Max. bag length per sealing step	170 mm
Max. production speed	Up to 65 bags/min
Film thickness	25 - 120 μ
Core diameter	76 (3") mm
Max. film width	360 mm
Max. outer diameter film roll	320 mm
Voltage	230 V, 50/60Hz
Power during production	1.200 Watt
Air consumption	6 bar, 156 ltr/min

All dimensions and specifications are indications based on standard set up. Final details depend on customer specifications



GKS Packaging



Distributor for Belgium:

PRESA NV  
 Brusselsesteenweg 558  
 3090 Overijse  
 www.presa.com  
 0032-2-657.02.22.

[www.gkspackaging.com](http://www.gkspackaging.com)